



Overhead conveyor blast cleaning machine Peskalnik z vise o progo

TYPE **H**

For blasting diverse materials which can be suspended.
Za peskanje razli nih obdelovancev, ki se jih lahko obesi.

H type machine is ideal for:
H tip stroja je primeren za:

castings / odlitke
forged parts / odkovke
pressed parts / prešane dele
steel parts / jeklene dele
non ferrous parts / dele iz barvnih kovin
peening / mikrokovanje

For more information please
contact
Za ve informacij

SIAPRO d.o.o.
Laznica 16
5282 Cerčno
SLOVENIJA



T: 00386 (0)5 384 16 32
F: 00386 (0)5 384 16 30
E: info@siapro.si
W: www.siapro.si



For cleaning many different materials such as castings, small assemblies, forgings, cycle frames, gas cylinders and other work pieces which due- to their shape and size can be suspended from a hook or beam section with arms.

All work pieces rotate and/or move within the range of the blast wheels and are thus cleaned thoroughly. The machines are manufactured from heavy steel plate, manganese lined on the inside and extra wear resistant cladding, consisting of removable panels, within range of the blast wheels.

The newly developed abrasive separators in various versions with or without magnetic separator ensure that the abrasive receives optimum cleaning and a high cleaning speed can be achieved.

The entire assembly complies with the strictest European standards. Thus - for instance - dust emissions from the dust collector are guaranteed to remain below 3 mg/rn3.

The control unit incorporates a PLC controller. Above this standard series, the comprehensively detailed specifications of which are to be found overleaf, machines can also be custom made.

Peskalniki z viseco progo so primerni za peskanje elementov kot so odlitki, majhni predmeti, kovani deli, rešetke in podobni predmeti, ki se jih v procesu peskanja lahko obesi.

Obdelovanci se znotraj peskalnega stroja vrtijo ter gibljejo na način ki omogoča, da se zelo učinkovito očistijo. Stroji so izdelani iz masivnih plošč manganskega jekla, v peskalnem delu pa so dodatno zaščiteni z obrabo-odpornimi ščiti iz manganskega jekla.

Naši inovativni čistilci peska različnih izvedb, z ali brez magnetnega separatorja, zagotavljajo kar najboljše peskanje pri visoki procesni hitrosti.

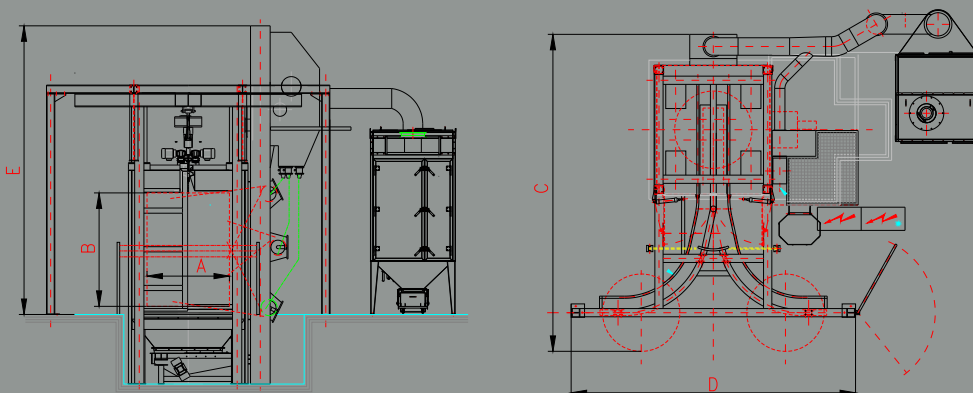
Stroji so izdelani v skladu z najstrožjimi evropskimi standardi. Tako so denimo emisije prahu iz filtra nižje od 3mg/m3.

Peskalnik ima vgrajeno PLC nadzorno ploščo. Poleg standardnih izvedb peskalnika je mogoče izdelati tudi peskalne stroje z viseco progo prilagojene zahtevam kupcev.



Specifications Specifikacije

TECHNICAL DATA	em	HA-900/2	HA 1000/3	HA-1500/3	HC-2000
Max loading capacity / Nosilnost kavlja	kg	500	500	1.000	2.000
Max piece dimensions / Obdelovanec A x B	mm	900x1400	1000x1500	1500x2000	2000x3000
Type of track / Tip proge	type	Y	Y	Y	∅
Number of wheels / Število turbin	pcs	2	3	3	4
Wheel power / Mo Turbin	kW	2x5,5	3x7,5	3x11	4x15
Exhausten air quantity / Koli ina izsesanega zraka	m ³ /h	3500	4500	7500	10000
Length / Dolžina C	mm	3.400	3.400	6.150	6.900
Width / Širina D	mm	3600	3600	5520	7360
Height / Višina E	mm	4.250	4.250	6.200	10.200



Other machines / Drugi stroji:

